

## **AXIS I8016-LVE Network Video Intercom**

### **User Manual**

# AXIS I8016-LVE Network Video Intercom

## Table of Contents

---

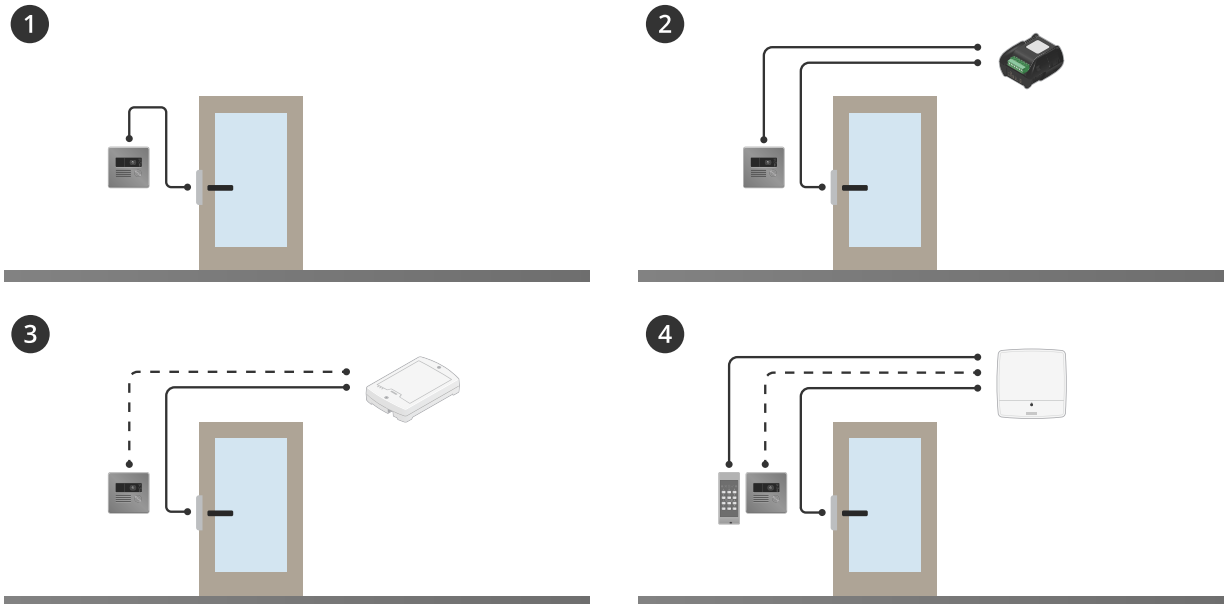
<b>Setup overview</b> .....	3
<b>Product overview</b> .....	4
.....	4
<b>Get started</b> .....	5
Find the device on the network .....	5
Access the device .....	5
<b>Additional settings</b> .....	7
Change the root password .....	7
Set up direct SIP (P2P) .....	7
Set up SIP through a server (PBX) .....	8
Create an organization .....	8
Create a contact .....	8
Configure the call button .....	9
Use DTMF to unlock the door for a visitor .....	10
Print a contact list .....	11
Benefit from IR light in low-light conditions using night mode .....	11
<b>Learn more</b> .....	12
The contact list .....	12
Voice over IP (VoIP) .....	12
Set up rules for events .....	14
NAT traversal .....	14
Applications .....	15
<b>Troubleshooting</b> .....	16
Reset to factory default settings .....	16
Check the current firmware .....	16
Upgrade the firmware .....	16
Technical issues, clues and solutions .....	17
Performance considerations .....	17
<b>Connect equipment</b> .....	19
Relay powered by PoE (12V) .....	19
Relay powered by separate power supply .....	19
Potential-free relay .....	20
12V Fail-secure lock powered by PoE from intercom .....	20
12V Fail-secure lock powered by external power supply .....	21
<b>Specifications</b> .....	22
Front panel indicators and controls .....	22
LED indicators .....	22
SD card slot .....	22
Buttons .....	22
Connectors .....	23
<b>Safety information</b> .....	24
Hazard levels .....	24
Other message levels .....	24

# AXIS I8016-LVE Network Video Intercom

## Setup overview

---

### Setup overview



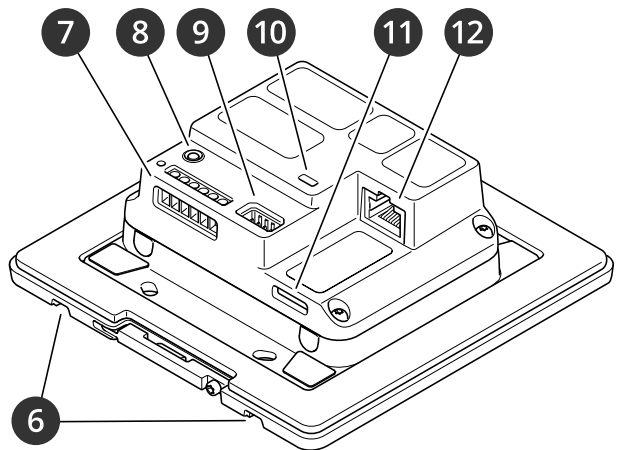
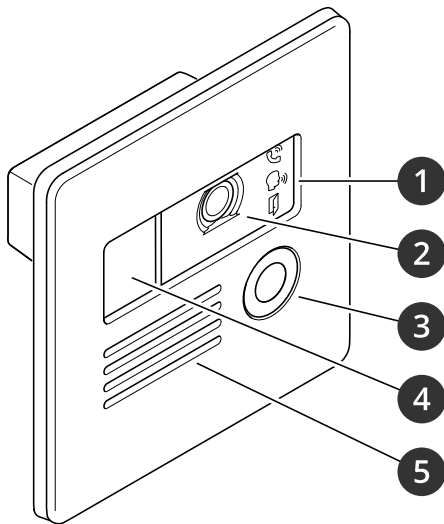
- 1 Intercom
- 2 Intercom combined with AXIS A9801
- 3 Intercom combined with AXIS A9161
- 4 Intercom combined with a reader and an access control system, for example AXIS A1001 or AXIS A1601

# AXIS I8016-LVE Network Video Intercom

## Product overview

---

### Product overview



- 1 Call indicator icons on page 22
- 2 Camera
- 3 Call button
- 4 IR illuminator
- 5 Speaker
- 6 Microphone
- 7 I/O connector on page 23
- 8 Control button on page 22
- 9 Audio connector on page 23
- 10 Status LED
- 11 SD card slot on page 22 (microSD/microSDHC/microSDXC)
- 12 Network connector on page 23

# AXIS I8016-LVE Network Video Intercom

## Get started

---

### Get started

#### Find the device on the network

To find Axis devices on the network and assign them IP addresses in Windows®, use AXIS IP Utility or AXIS Device Manager. Both applications are free and can be downloaded from [axis.com/support](http://axis.com/support).

For more information about how to find and assign IP addresses, go to *How to assign an IP address and access your device*.

#### Browser support

You can use the device with the following browsers:

	Chrome™	Firefox®	Edge™	Safari®
Windows®	recommended	recommended	✓	
macOS®	recommended	recommended	✓	✓
Linux®	recommended	recommended	✓	
Other operating systems	✓	✓	✓	✓*

\*To use AXIS OS web interface with iOS 15 or iPadOS 15, go to **Settings > Safari > Advanced > Experimental Features** and disable *NSURLSession Websocket*.

If you need more information about recommended browsers, go to *AXIS OS Portal*.

#### Access the device

1. Open a browser and enter the IP address or host name of the Axis device.  
If you do not know the IP address, use AXIS IP Utility or AXIS Device Manager to find the device on the network.
2. Enter the username and password. If you access the device for the first time, you must set the root password. See *Set a new password for the root account on page 5*.

#### Verify that no one has tampered with the firmware

To make sure that the device has its original Axis firmware, or to take full control of the device after a security attack:

1. Reset to factory default settings. See *Reset to factory default settings on page 16*.  
After the reset, secure boot guarantees the state of the device.
2. Configure and install the device.

#### Set a new password for the root account

##### Important

The default administrator username is **root**. If the password for root is lost, reset the device to factory default settings. See *Reset to factory default settings on page 16*

# AXIS I8016-LVE Network Video Intercom

## Get started

---



To watch this video, go to the web version of this document.

[www.axis.com/products/online-manual/62432#t10098905](http://www.axis.com/products/online-manual/62432#t10098905)

*Support tip: Password security confirmation check*

1. Type a password. Follow the instructions about secure passwords. See *Secure passwords on page 6*.
2. Retype the password to confirm the spelling.
3. Click **Save**. The password has now been configured.

### Secure passwords

#### Important

Axis devices send the initially set password in clear text over the network. To protect your device after the first login, set up a secure and encrypted HTTPS connection and then change the password.

The device password is the primary protection for your data and services. Axis devices do not impose a password policy as they may be used in various types of installations.

To protect your data we strongly recommend that you:

- Use a password with at least 8 characters, preferably created by a password generator.
- Don't expose the password.
- Change the password at a recurring interval, at least once a year.

# AXIS I8016-LVE Network Video Intercom

## Additional settings

---

### Additional settings

This section will cover all the important configurations that an installer needs to do to get the product up and running after the hardware installation has been completed.

### Change the root password

1. Log in to the product's webpage and go to **System > Users**.
2. For the root user, click **Edit**.
3. Enter a new password and save.

### Set up direct SIP (P2P)

VoIP (Voice over IP) is a group of technologies that enables voice and multimedia communication over IP networks. For more, see *Voice over IP (VoIP)* on page 12.

In this product VoIP is enabled through the SIP protocol. For more information about SIP, see *Session Initiation Protocol (SIP)* on page 13

There are two types of setups for SIP. Peer-to-peer is one of them. Use peer-to-peer when the communication is between a few user agents within the same IP network and there is no need for extra features that a PBX-server could provide. For information on how to set it up, see *Peer-to-peer SIP (P2PSIP)* on page 13.

1. Go to **VoIP > SIP settings** and select **Enable SIP**.
2. In **Call timeout**, set the number of seconds that a call will last before it ends if there is no answer.
3. To allow the device to receive incoming calls, select **Allow incoming calls**.

#### **NOTICE**

When you allow incoming calls, the device accepts calls from any device connected to the network. If the device is accessible from a public network or the internet, we recommend you to disable incoming calls.

4. Set the number of seconds before timeout for incoming calls.
5. Click **Save**.
6. In **Port settings**, enter the **SIP port number** and **SIP TLS port number**.

#### **Note**

- **SIP port** – for SIP sessions. Signalling traffic through this port is non-encrypted. The default port number is 5060.
  - **SIP TLS port** – for SIPS and TLS secured SIP sessions. Signalling traffic through this port is encrypted with Transport Layer Security (TLS). The default port number is 5061.
  - **RTP start port** – Enter the port used for the first RTP media stream in a SIP call. The default start port for media transport is 4000. Some firewalls might block RTP traffic on certain port numbers. A port number must be between 1024 and 65535.
7. Click **Save**.
  8. In **NAT traversal**, select the protocols you want to enable for NAT traversal.

#### **Note**

Use NAT traversal when the device is connected to the network from behind a NAT router or a firewall. For more information see *NAT traversal* on page 14.

# AXIS I8016-LVE Network Video Intercom

## Additional settings

---

### Set up SIP through a server (PBX)

VoIP (Voice over IP) is a group of technologies that enables voice and multimedia communication over IP networks. For more, see *Voice over IP (VoIP)* on page 12.

In this product VoIP is enabled through the SIP protocol. For more information about SIP, see *Session Initiation Protocol (SIP)* on page 13

There are two types of setups for SIP. A PBX-server is one of them. Use a PBX-server when the communication should be between an infinite number of user agents within and outside the IP network. Additional features could be added to the setup depending on the PBX-provider. For more information see, *Private Branch Exchange (PBX)* on page 13.

1. Request the following information from your PBX provider:
  - User ID
  - Domain
  - Password
  - Authentication ID
  - Caller ID
  - Registrar
  - RTP start port
2. Go to **VoIP > SIP accounts > Create account**.
3. Enter a **Name** for the account.
4. Select **Registrar**.
5. Select a transport mode.
6. Add the account information from the PBX provider.
7. Click **Save**.
8. Set up the SIP settings the same way as for peer-to-peer. See *Set up direct SIP (P2P)* on page 7 for more information.

### Create an organization

#### Note

Every contact in the contact list must belong to an organization.

1. Go to **VoIP > Contact list > Contacts**.
2. Click **New**.
3. Enter a name and description of the organization.
4. Click **Save**.

### Create a contact

This example explains how to create a new contact in the contact list. This contact:

- has a SIP address
- belongs to an organization



# AXIS I8016-LVE Network Video Intercom

## Additional settings

---

- belongs to a department

### Before you start

- Create the organization in the contact list. To find out how to create it, see *Create an organization on page 8*.
- Enable SIP in **VoIP > SIP settings**.

1. Go to **VoIP > Contact list > Contacts**.
2. Click **Edit** next to the name of the organization to which the contact belongs.
3. Click **New**.
4. Enter the first and last name of the contact.
5. Enter an available speed dial number.

### Note

The speed dial number is used to call the contact from the intercom. If you enter a speed dial number which is already assigned to another contact, a warning message appears and you cannot save the contact.

6. Under **Department**, select **New** and enter the name of the department.
7. In **Call information**, select **SIP address**.
8. Enter the contact's SIP address.

### Note

For information about SIP addresses, see *Session Initiation Protocol (SIP) on page 13*.

9. Select the SIP account to call from.
10. In **Fallback**, select **None**.

### Note

A fallback is a contact, to whom the call is forwarded if the original contact does not reply.

11. Click **Save**.

## Configure the call button

By default, the call button is configured to make VMS (Video Management System) calls. If you want to keep this configuration, you just need to add the Axis intercom to the VMS.

This example explains how to set up the system to call a contact in the contact list when a visitor presses the call button.

1. Go to **VoIP > Contact list > Call button** and click **Add**.
2. Select a contact and click **Add**.
3. Deselect **VMS call**.
4. Click **Save**.

### To disable the call button:

De-select **Activate call button**, or:

1. Don't add any recipients, or remove already added recipients.
2. Deselect **VMS call**.

# AXIS I8016-LVE Network Video Intercom

## Additional settings

---

3. Click **Save**.

### Use DTMF to unlock the door for a visitor

When a visitor makes a call from the intercom, the person who answers can use the Dual-Tone Multi-Frequency signaling (DTMF) of his SIP device to unlock the door. The door controller unlocks and locks the door.

This example explains how to:

- define the DTMF signal in the intercom
- set up the intercom to:
  - request the door controller to unlock the door, or
  - unlock the door using the internal relay.

You make all settings in the intercom's webpage.

#### Before you start

- Allow SIP calls from the device and set up a SIP account. See *Set up direct SIP (P2P)* and *Set up SIP through a server (PBX)*.

#### Define the DTMF signal in the intercom

1. Go to **VoIP > DTMF**.
2. Click the pencil next to the SIP account.
3. Click **Add**.
4. In the **Name** field, enter "Unlock door".
5. In the **Sequence** field, enter "1".
6. Click **Apply** and then **OK**.

#### Set up the intercom to request the door controller to unlock the door

1. Go to **Events > Management > Action rules** and click **Add**.
2. In the **Name** field, enter "DTMF unlock door".
3. From the list of triggers, select **Call, DTMF** and **Unlock door**.
4. From the list of actions, select **Axis Door Control**.
5. Click **New Recipient**.
6. Enter the details for the door controller and click **OK**.
7. Click **Retrieve doors** and select the door from the list.
8. Under **Door actions**, select **AccessDoor**.
9. Click **OK**.

#### Set up the intercom to unlock the door using the internal relay

1. Follow the steps under **Define the DTMF signal in the intercom**
2. Go to **Events > Management > Action rules** and click **Add**.
3. In the **Name** field, enter "DTMF unlock door".

# AXIS I8016-LVE Network Video Intercom

## Additional settings

---

4. From the list of triggers, select **Call**, **DTMF** and **Unlock door**.
5. From the list of actions, select **Output Port**.
6. From the list of ports, select **Relay 1 (Port 4)**.
7. Select **Duration**.
8. Select **Go to opposite state after** and set it to 7 seconds, which means that the door is open for 7 seconds.
9. Click **OK**.

### Print a contact list

You can print a list of all or some of the contacts in the contact list with their speed dial numbers. To print a list of all contacts:

1. Go to **VoIP > Contact list > Contacts** and click **Print contact list**.
2. Enter a message, that will be the title of the list.
3. Enter the name of the building or organization and the address.
4. Select to print all contacts.
5. Click **Print**.

### Benefit from IR light in low-light conditions using night mode

Your camera uses visible light to deliver color images during the day. As the available light diminishes, you can set the camera to automatically shift to night mode, in which the camera uses both visible light and near-infrared light to deliver black-and-white images. Since the camera uses more of the available light it can deliver brighter, more detailed, images.

1. Go to **Camera > Settings > Image > Day and night**, and make sure that the **IR cut filter** is set to **Auto**.
2. To determine at what light level you want the camera to shift to night mode, move the **Threshold** slider toward **Bright** or **Dark**.
3. To determine at what light level you want the camera to shift to night mode, set the **Day-night shift priority** to **Day**, **Night** or **None**.
4. Enable **Allow IR illumination** and **Synchronize IR illumination** to use the camera's IR light when night mode is activated.
5. If using an accessory IR illuminator, enable **Allow IR illumination** and **Synchronize IR illumination** to use IR light when night mode is activated.

#### Note

If you set the shift to night mode to occur when it's brighter, the image remains sharper as there will be less low-light noise. If you set the shift to occur when it's darker, the image colors are maintained for longer, but there will be more image blur due to low-light noise.

# AXIS I8016-LVE Network Video Intercom

Learn more

---

Learn more

## The contact list

The contact list consists of:

- Organizations – companies or organizations located in the building where the intercom is placed.
- Contacts – persons belonging to an organization and sometimes also a department. You assign a speed dial number to each contact. For each contact you can assign a fallback, to whom the call is forwarded if the original contact does not answer.
- Departments – a contact can belong to a department. You create a department when you create a contact.
- Call groups – consists of several contacts or SIP addresses. You call all recipients in a call group simultaneously, and any recipient can answer the call.

You can print a list of all the contacts in the contact list to place next to the intercom.

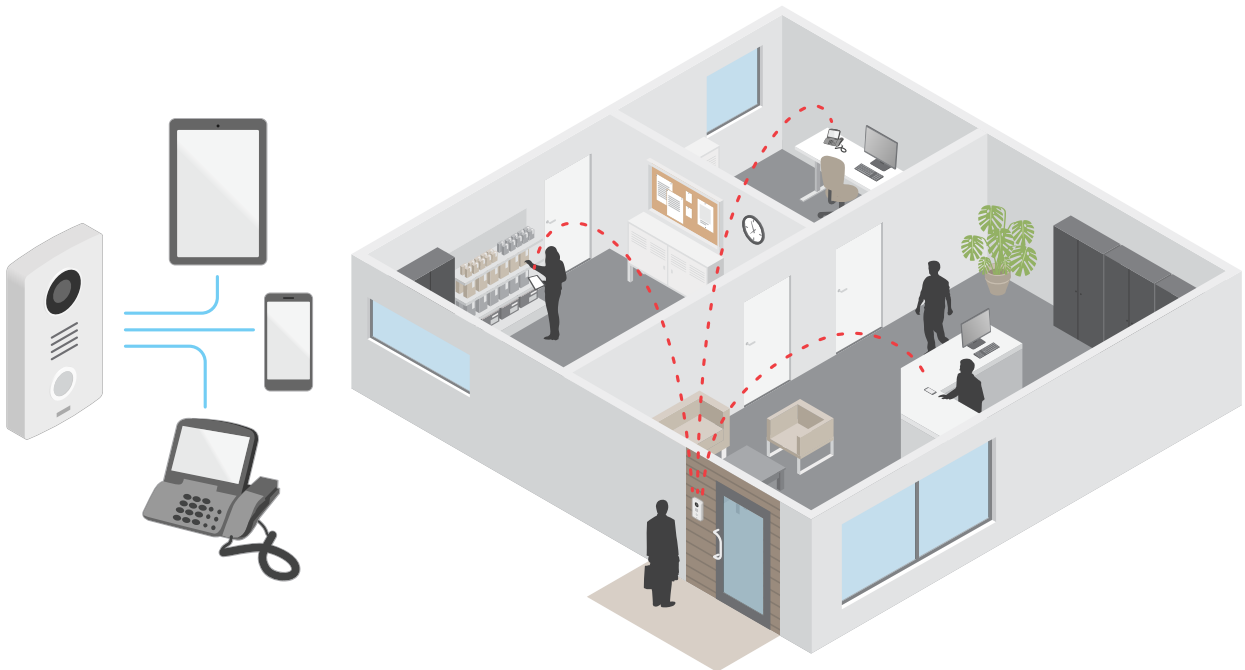
In the contact list you can also configure the call button, to decide where the call will go when a visitor presses it.

## Voice over IP (VoIP)

Voice over IP (VoIP) is a group of technologies that enables voice communication and multimedia sessions over IP networks, such as the internet. In traditional phone calls, analog signals are sent through circuit transmissions over the Public Switched Telephone Network (PSTN). In a VoIP call, analog signals are turned into digital signals to make it possible to send them in data packets across local IP networks or the internet.

In the Axis product, VoIP is enabled through the Session Initiation Protocol (SIP) and Dual-Tone Multi-Frequency (DTMF) signaling.

Example



When you press the call button on an Axis intercom, a call is initiated to one or more predefined recipients. When a recipient replies, a call is established. The voice and video is transferred through VoIP technologies.

# AXIS I8016-LVE Network Video Intercom

## Learn more

---

### Session Initiation Protocol (SIP)

The Session Initiation Protocol (SIP) is used to set up, maintain and terminate VoIP calls. You can make calls between two or more parties, called SIP user agents. To make a SIP call you can use, for example, SIP phones, softphones or SIP-enabled Axis devices.

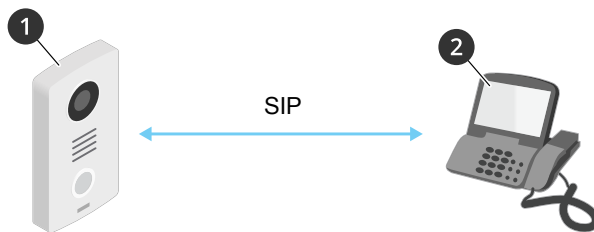
The actual audio or video is exchanged between the SIP user agents with a transport protocol, for example RTP (Real-Time Transport Protocol).

You can make calls on local networks using a peer-to-peer setup, or across networks using a PBX.

### Peer-to-peer SIP (P2PSIP)

The most basic type of SIP communication takes place directly between two or more SIP user agents. This is called peer-to-peer SIP (P2PSIP). If it takes place on a local network, all that's needed are the SIP addresses of the user agents. A typical SIP address in this case would be `sip:<local-ip>`

Example



- 1 User agent A - intercom. SIP address: `sip:192.168.1.101`
- 2 User agent B - SIP-enabled phone. SIP address: `sip:192.168.1.100`

You can set up the Axis intercom to call for example a SIP-enabled phone on the same network using a peer-to-peer SIP setup.

### Private Branch Exchange (PBX)

When you make SIP calls outside your local IP network, a Private Branch Exchange (PBX) can act as a central hub. The main component of a PBX is a SIP server, which is also referred to as a SIP proxy or a registrar. A PBX works like a traditional switchboard, showing the client's current status and allowing for example call transfers, voicemail, and redirections.

The PBX SIP server can be set up as a local entity or offsite. It can be hosted on an intranet or by a third party provider. When you make SIP calls between networks, calls are routed through a set of PBXs, that query the location of the SIP address to be reached.

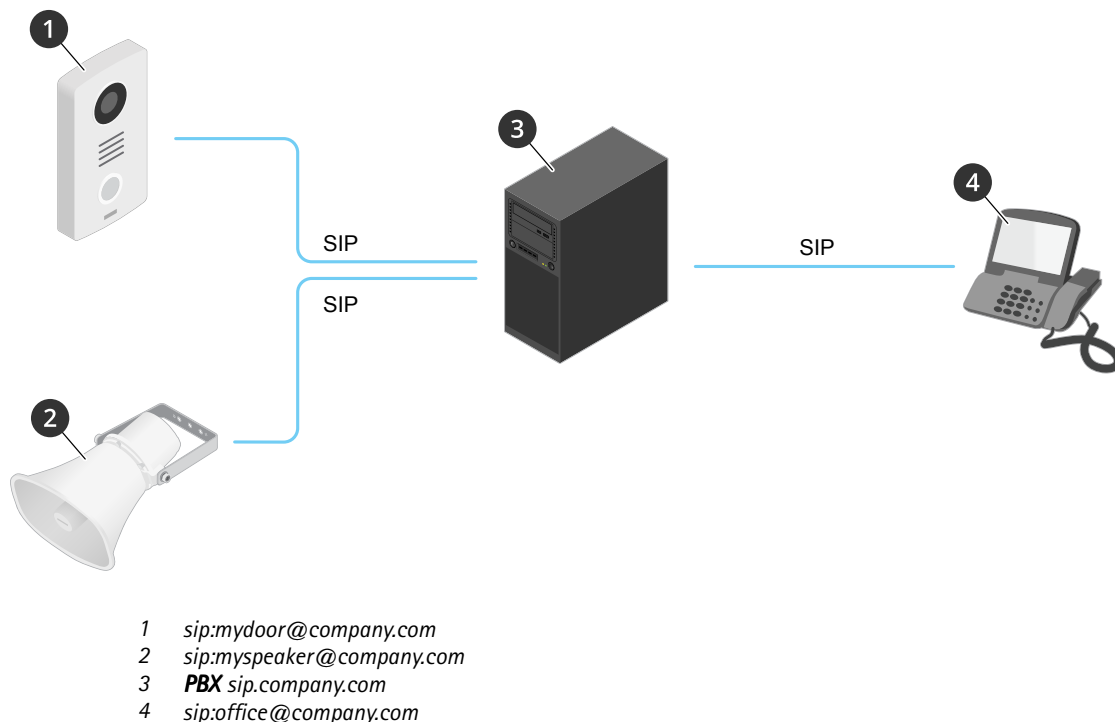
Each SIP user agent registers with the PBX, and can then reach the others by dialing the correct extension. A typical SIP address in this case would be `sip:<user>@<domain>` or `sip:<user>@<registrar-ip>`. The SIP address is independent of its IP address and the PBX makes the device accessible as long as it is registered to the PBX.

Example

# AXIS I8016-LVE Network Video Intercom

Learn more

---



When you press the call button on an Axis intercom, the call is forwarded through one or more PBXs to a SIP address either on the local IP network or over the internet.

## Set up rules for events

You can create rules to make your device perform an action when certain events occur. A rule consists of conditions and actions. The conditions can be used to trigger the actions. For example, the device can start a recording or send an email when it detects motion, or show an overlay text while the device is recording.

To learn more, check out our guide *Get started with rules for events*.

## NAT traversal

Use NAT (Network Address Translation) traversal when the Axis device is located on an private network (LAN) and you want to access it from outside of that network.

### Note

The router must support NAT traversal and UPnP®.

Each NAT traversal protocol can be used separately or in different combinations depending on the network environment.

- **ICE** The ICE (Interactive Connectivity Establishment) protocol increases the chances of finding the most efficient path to successful communication between peer devices. If you also enable STUN and TURN, you improve the ICE protocol's chances.
- **STUN** - STUN (Session Traversal Utilities for NAT) is a client-server network protocol that lets the Axis device determine if it is located behind a NAT or firewall, and if so obtain the mapped public IP address and port number allocated for connections to remote hosts. Enter the STUN server address, for example, an IP address.
- **TURN** - TURN (Traversal Using Relays around NAT) is a protocol that lets a device behind a NAT router or firewall receive incoming data from other hosts over TCP or UDP. Enter TURN server address and the login information.

## AXIS I8016-LVE Network Video Intercom

Learn more

---

### Applications

AXIS Camera Application Platform (ACAP) is an open platform that enables third parties to develop analytics and other applications for Axis products. To find out more about available applications, downloads, trials and licenses, go to [axis.com/applications](https://axis.com/applications).

To find the user manuals for Axis applications, go to [axis.com](https://axis.com).

# AXIS I8016-LVE Network Video Intercom

## Troubleshooting

---

### Troubleshooting

#### Reset to factory default settings

##### Important

Reset to factory default should be used with caution. A reset to factory default resets all settings, including the IP address, to the factory default values.

To reset the product to the factory default settings:

1. Disconnect power from the product.
2. Press and hold the control button while reconnecting power. See *Product overview on page 4*.
3. Keep the control button pressed for 15–30 seconds until the status LED indicator flashes amber.
4. Release the control button. The process is complete when the status LED indicator turns green. The product has been reset to the factory default settings. If no DHCP server is available on the network, the default IP address is 192.168.0.90
5. Use the installation and management software tools to assign an IP address, set the password, and access the product.

The installation and management software tools are available from the support pages on [axis.com/support](https://axis.com/support)

It is also possible to reset parameters to factory default through the web interface. Go to **Maintenance > Maintenance actions** and click **Restore** to reset to factory default values but keep the IP address, or **Default** to reset all values including the IP address.

#### Check the current firmware

Firmware is the software that determines the functionality of network devices. One of your first actions when you troubleshoot a problem should be to check the current firmware version. The latest version may contain a correction that fixes your particular problem.

To check the current firmware:

1. In the device's webpage, go to **Overview**.
2. Check the **Firmware version**.

#### Upgrade the firmware

##### Important

Preconfigured and customized settings are saved when the firmware is upgraded (provided that the features are available in the new firmware), although this is not guaranteed by Axis Communications AB.

##### Important

Make sure the device remains connected to the power source throughout the upgrade process.

##### Note

When you upgrade the device with the latest firmware, the device receives the latest functionality available. Always read the upgrade instructions and release notes available with each new release before you upgrade the firmware. To find the latest firmware and the release notes, go to [axis.com/support/firmware](https://axis.com/support/firmware)

1. Download the latest firmware file to your computer, available free of charge at [axis.com/support/firmware](https://axis.com/support/firmware)
2. Log in to the device as an administrator.



# AXIS I8016-LVE Network Video Intercom

## Troubleshooting

---

3. Go to **System > Maintenance > Firmware upgrade** and follow the instructions on the page. When the upgrade has finished, the device restarts automatically.

### Technical issues, clues and solutions

If you can't find what you're looking for here, try the troubleshooting section at [axis.com/support](http://axis.com/support).

---

#### Problems upgrading the firmware

Firmware upgrade failure	If the firmware upgrade fails, the device reloads the previous firmware. The most common reason is that the wrong firmware file has been uploaded. Check that the name of the firmware file corresponds to your device and try again.
--------------------------	---

---

#### Problems setting the IP address

The device is located on a different subnet	If the IP address intended for the device and the IP address of the computer used to access the device are located on different subnets, you cannot set the IP address. Contact your network administrator to obtain an IP address.
---	---

The IP address is being used by another device	Disconnect the Axis device from the network. Run the ping command (in a Command/DOS window, type <code>ping</code> and the IP address of the device):
--	---

- If you receive: `Reply from <IP address>: bytes=32; time=10...` this means that the IP address may already be in use by another device on the network. Obtain a new IP address from the network administrator and reinstall the device.
- If you receive: `Request timed out`, this means that the IP address is available for use with the Axis device. Check all cabling and reinstall the device.

Possible IP address conflict with another device on the same subnet	The static IP address in the Axis device is used before the DHCP server sets a dynamic address. This means that if the same default static IP address is also used by another device, there may be problems accessing the device.
---	---

---

#### The device cannot be accessed from a browser

Cannot log in	When HTTPS is enabled, ensure that the correct protocol (HTTP or HTTPS) is used when attempting to log in. You may need to manually type <code>http</code> or <code>https</code> in the browser's address field.
---------------	--

If the password for the user `root` is lost, the device must be reset to the factory default settings. See *Reset to factory default settings on page 16*.

The IP address has been changed by DHCP	IP addresses obtained from a DHCP server are dynamic and may change. If the IP address has been changed, use AXIS IP Utility or AXIS Device Manager to locate the device on the network. Identify the device using its model or serial number, or by the DNS name (if the name has been configured).
---	--

---

#### The device is accessible locally but not externally

To access the device externally, we recommend using one of the following applications for Windows®:

- AXIS Companion: free of charge, ideal for small systems with basic surveillance needs.
- AXIS Camera Station: 30-day trial version free of charge, ideal for small to mid-size systems.

For instructions and download, go to [axis.com/vms](http://axis.com/vms).

### Performance considerations

When setting up your system, it is important to consider how various settings and situations affect the performance. Some factors affect the amount of bandwidth (the bitrate) required, others can affect the frame rate, and some affect both. If the load on the CPU reaches its maximum, this also affects the frame rate.

The following factors are the most important to consider:

# AXIS I8016-LVE Network Video Intercom

## Troubleshooting

---

- High image resolution or lower compression levels result in images containing more data which in turn affects the bandwidth.
- Access by large numbers of Motion JPEG or unicast H.264 clients affects the bandwidth.
- Simultaneous viewing of different streams (resolution, compression) by different clients affects both frame rate and bandwidth.

Use identical streams wherever possible to maintain a high frame rate. Stream profiles can be used to ensure that streams are identical.

- Accessing Motion JPEG and H.264 video streams simultaneously affects both frame rate and bandwidth.
- Heavy usage of event settings affects the product's CPU load which in turn affects the frame rate.
- Using HTTPS may reduce frame rate, in particular if streaming Motion JPEG.
- Heavy network utilization due to poor infrastructure affects the bandwidth.
- Viewing on poorly performing client computers lowers perceived performance and affects frame rate.
- Running multiple AXIS Camera Application Platform (ACAP) applications simultaneously may affect the frame rate and the general performance.

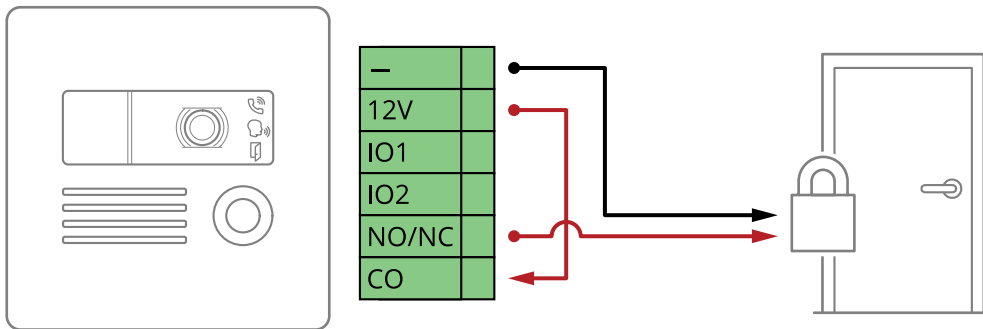
# AXIS I8016-LVE Network Video Intercom

## Connect equipment

---

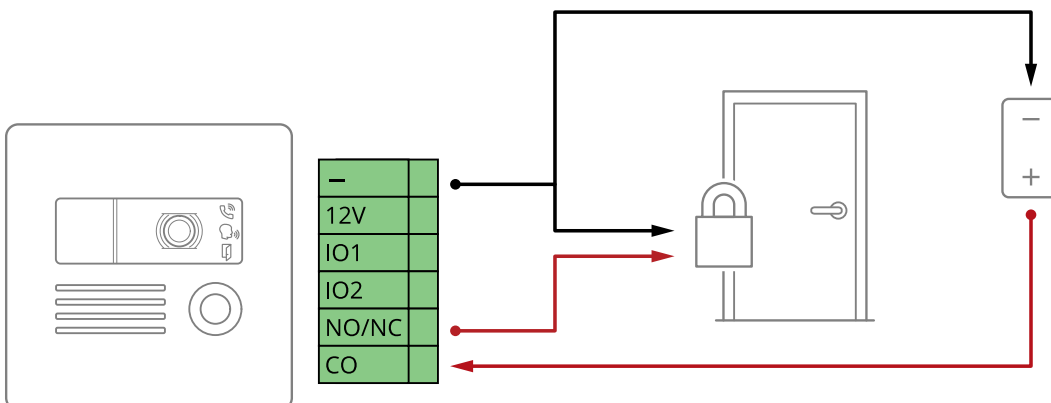
### Connect equipment

#### Relay powered by PoE (12V)



1. To check relay state, go to **Hardware > I/O ports > Relays**.
2. Click **Edit**.
3. Depending on your lock type, set **Normal state** to:
  - **Open circuit** for a fail-secure lock
  - **Closed circuit** for a fail-safe lock
4. Click **Save**.

#### Relay powered by separate power supply



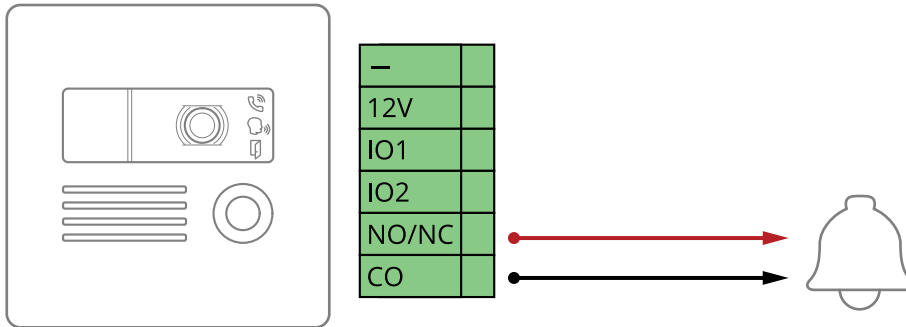
1. To check relay state, go to **Hardware > I/O ports > Relays**.
2. Click **Edit**.
3. Depending on your lock type, set **Normal state** to:
  - **Open circuit** for a fail-secure lock

# AXIS I8016-LVE Network Video Intercom

## Connect equipment

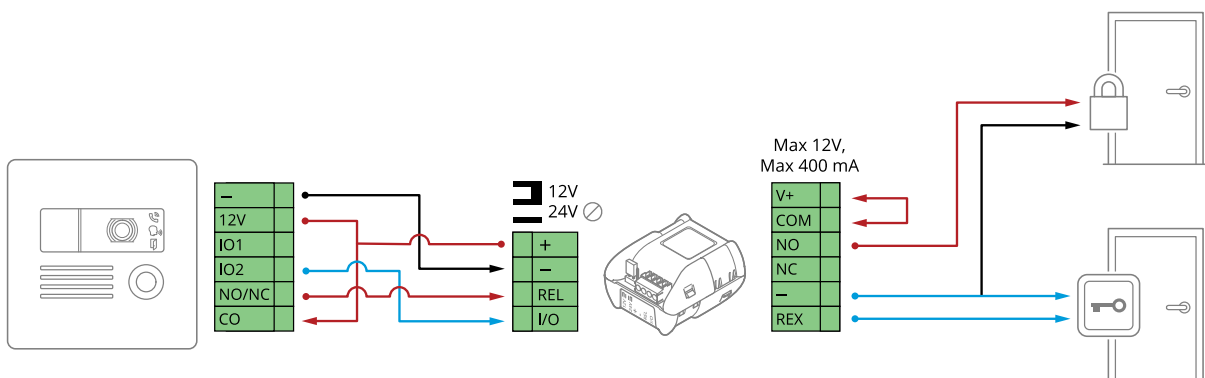
- Closed circuit for a fail-safe lock
4. Click Save.

### Potential-free relay



1. To check relay state, go to **Hardware > I/O ports > Relays**.
2. Click Edit.
3. Depending on your lock type, set **Normal state** to:
  - **Open circuit** for a fail-secure lock
  - **Closed circuit** for a fail-safe lock
4. Click Save.

### 12V Fail-secure lock powered by PoE from intercom



1. To check relay state, go to **Hardware > I/O ports > Relays**.
2. Click Edit.
3. Depending on your lock type, set **Normal state** to:
  - **Open circuit** for a fail-secure lock

# AXIS I8016-LVE Network Video Intercom

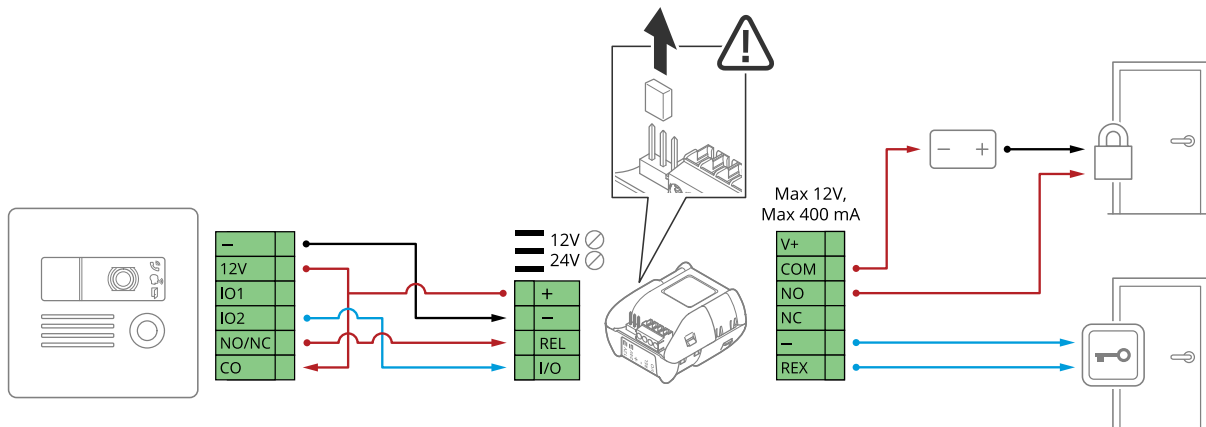
## Connect equipment

---

- Closed circuit for a fail-safe lock

4. Click Save.

### 12V Fail-secure lock powered by external power supply



1. To check relay state, go to **Hardware > I/O ports > Relays**.
2. Click **Edit**.
3. Depending on your lock type, set **Normal state** to:
  - **Open circuit** for a fail-secure lock
  - **Closed circuit** for a fail-safe lock
4. Click **Save**.

# AXIS I8016-LVE Network Video Intercom

## Specifications




---

### Specifications

#### Front panel indicators and controls

When you connect the product to power, the indicator icons and the indicator strip light up for xx seconds.

#### Call indicator icons

Icon	Indication
	Steady amber when outgoing call initiated. Flashes amber when incoming call initiated.
	Steady blue for ongoing call.
	Steady green when door is open.

#### LED indicators

Status LED	Indication
Green	Steady green for normal operation.

#### SD card slot

##### NOTICE

- Risk of damage to SD card. Do not use sharp tools, metal objects, or excessive force when inserting or removing the SD card. Use your fingers to insert and remove the card.
- Risk of data loss and corrupted recordings. Do not remove the SD card while the product is running. Unmount the SD card from the product's webpage before removal.

This product supports microSD/microSDHC/microSDXC cards.

For SD card recommendations, see [axis.com](http://axis.com).



microSD, microSDHC, and microSDXC Logos are trademarks of SD-3C LLC. microSD, microSDHC, microSDXC are trademarks or registered trademarks of SD-3C, LLC in the United States, other countries or both.

#### Buttons

##### Control button

The control button is used for:

- Resetting the product to factory default settings. See *Reset to factory default settings* on page 16.

# AXIS I8016-LVE Network Video Intercom

## Specifications

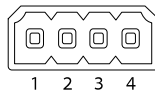
### Connectors

#### Network connector

RJ45 Ethernet connector with Power over Ethernet (PoE).

#### Audio connector

4-pin terminal block for audio input and output.



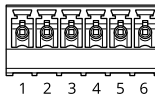
Function	Pin	Notes
Line in	1	Line in (mono)
GND	2	Audio ground
Line out	3	Line out (mono)
GND	4	Audio ground

#### I/O connector

Use the I/O connector with external devices in combination with, for example, motion detection, event triggering, and alarm notifications. In addition to the 0 V DC reference point and power (DC output), the I/O connector provides the interface to:

**Digital input** – For connecting devices that can toggle between an open and closed circuit, for example PIR sensors, door/window contacts, and glass break detectors.

**Digital output** – For connecting external devices such as relays and LEDs. Connected devices can be activated by the VAPIX® Application Programming Interface, through an event or from the product's webpage.



Function	Pin	Notes	Specifications
0 V DC (-)	1		0 V DC
12 V DC	2		Max current = 400 mA
Configurable (Input or Output)	3-4	Digital input – Connect to pin 1 to activate, or leave floating (unconnected) to deactivate.	0 to max 30 V DC
		Digital output – Connected to pin 1 when activated, floating (unconnected) when deactivated. If used with an inductive load, e.g. a relay, a diode must be connected in parallel with the load, for protection against voltage transients.	0 to max 30 V DC
Common	5		Max current/voltage = 700mA at 30 V external sourced
Normally open/normally closed	6	For connecting relay devices. The relay pin is galvanically separated from the rest of the circuitry.	Max current/voltage = 700mA at 30 V external sourced

# AXIS I8016-LVE Network Video Intercom

## Safety information

---

### Safety information

#### Hazard levels

**▲DANGER**

Indicates a hazardous situation which, if not avoided, will result in death or serious injury.

**▲WARNING**

Indicates a hazardous situation which, if not avoided, could result in death or serious injury.

**▲CAUTION**

Indicates a hazardous situation which, if not avoided, could result in minor or moderate injury.

**NOTICE**

Indicates a situation which, if not avoided, could result in damage to property.

#### Other message levels

**Important**

Indicates significant information which is essential for the product to function correctly.

**Note**

Indicates useful information which helps in getting the most out of the product.



