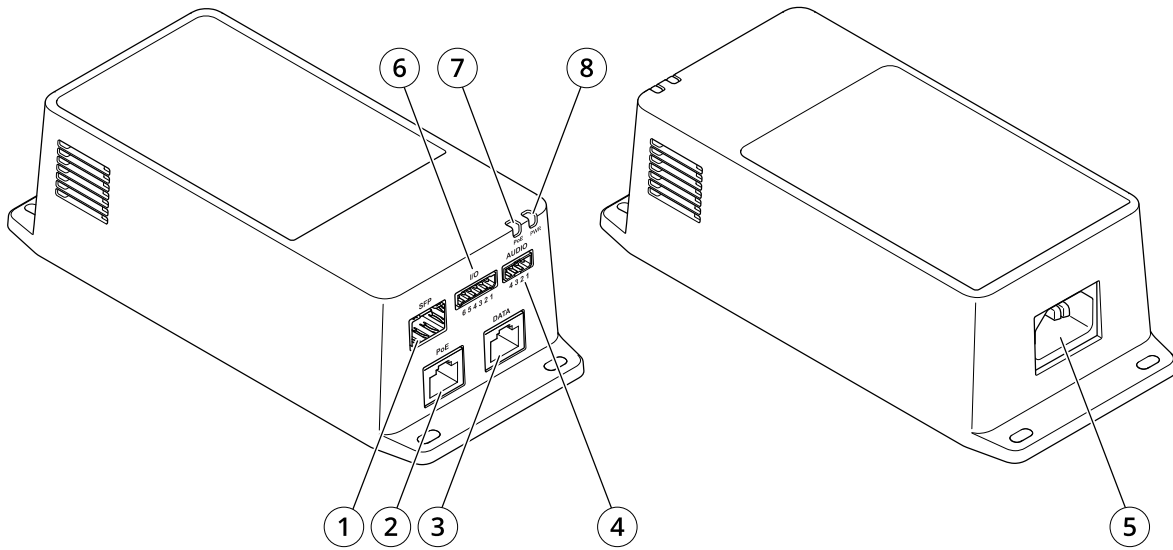


AXIS TU8003 90 W Connectivity Midspan

Table of Contents

Product overview3
 Heart beat detector3
Setup.....4
 About the device4
 Audio.....4
 Add audio to your recording4
 Allow two-way audio communication.....4
 Events.....4
 Trigger an action4
 Record video when a PIR detector senses motion5
Troubleshooting.....6
Specifications.....7
 LED indicators.....7
 Connectors.....7
 Network connector7
 Audio connector.....7
 I/O connector8

Product overview



- 1 Optical fibre connector (SFP)
- 2 Network connector RJ45 (PoE)
- 3 Ethernet RJ45 connector (DATA)
- 4 Audio connector
- 5 Power connector
- 6 I/O connector
- 7 PoE LED
- 8 Power LED

Heart beat detector

The AXIS TU8003 sends frequent heartbeat signals to the supported camera while powering it. If the camera doesn't return a heartbeat within two minutes, the AXIS TU8003 will restart the camera.

Note

The camera can become inaccessible to the user or fail to display a proper image, even while it continues to send heartbeat signals to the AXIS TU8003. The camera won't restart as long as it returns heartbeat signals.

Setup

About the device

When you connect your midspan to a supported Axis camera, settings for audio and I/O will appear on the camera's webpage.

Note

Make sure Link-Local address (ZeroConf) and IPv4 network protocols are turned on. Otherwise audio and I/O won't work.

You can manage all the settings described in this manual through the camera's webpage.

Audio

Add audio to your recording

Turn on audio:

1. Go to **Settings > Audio** and turn on **Allow audio**.
2. Go to **Input > Type** and select your audio source.

Edit the stream profile which is used for the recording:

3. Go to **Settings > Stream** and click **Stream profiles**.
4. Select the stream profile and click **Audio**.
5. Select the checkbox and select **Include**.
6. Click **Save**.
7. Click **Close**.

Allow two-way audio communication

Note

When you have set up two-way audio communication in the camera's user interface, use a video management system to make use of the functionality.

1. Connect a microphone to the **Audio in** connector.
2. Connect a speaker to the **Audio out** connector.

Allow two-way audio in the camera's web page:

1. Go to **Video > Stream > Audio** and include audio.
2. Go to **Audio > Device settings** and make sure audio is allowed.
3. Turn on the correct input source.
4. If you make any changes to the input source, click **Apply changes**.
5. Go to **System > Plain config**.
6. Set **Select group** to **Audio**.
7. Make sure **Duplex mode** is set to **Full duplex**

Events

Trigger an action

1. Go to **Settings > System > Events** to set up a rule. The rule defines when the device will perform certain actions. Rules can be setup as scheduled, recurring, or for example, triggered by motion detection.
2. Select the **Condition** that must be met to trigger the action. If you specify more than one condition for the rule, all of the conditions must be met to trigger the action.

3. Select which Action the device should perform when the conditions are met.

Note

If you make changes to an active rule, you have to restart the rule for the changes to take effect.

Record video when a PIR detector senses motion

This example explains how to connect an Axis PIR detector to the product, and set up the camera to start recording when the detector senses motion.

Required hardware

- 3-wire cable (ground, power, I/O)
- Axis PIR detector

NOTICE

Disconnect the product from power before connecting the wires. Reconnect to power after all connections are done.

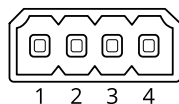
Connect the wires to the product's I/O connector

Note

For information on the I/O connector, see .

1. Connect the ground wire to pin 1 (GND/-).
2. Connect the power wire to pin 2 (12V DC output).
3. Connect the I/O wire to pin 3 (I/O input).

Connect the wires to the PIR detector's I/O connector



1. Connect the other end of the ground wire to pin 1 (GND/-).
2. Connect the other end of the power wire to pin 2 (DC input/+).
3. Connect the other end of the I/O wire to pin 3 (I/O output).

Configure the I/O port in the camera's webpage

1. Go to **Settings > System > I/O ports**.
2. Select **Input** in the **Port 1** drop-down list.
3. Give the input module a descriptive name.
4. To make the PIR detector send a signal to the camera when it senses motion, select **Closed circuit** in the drop-down list.

To trigger the camera to start recording when it receives a signal from the PIR detector, you need to create a rule in the camera's webpage.

Troubleshooting

The midspan does not power up

- Verify that the power cable is properly connected.
- Remove and re-apply power to the device and check the indicators during power up sequence.
- Verify that the power inlet cable is functional.

The powered device does not operate

- Verify that the powered device is designed for PoE operation.
- Verify that a standard Category 5e/6, straight-wired cable with four pairs is used.
- Verify that the powered device is connected to the PoE port.
- If an external power splitter is in use, verify that it works.
- Verify that there is no short over on any of the twisted pair cables or over the RJ45 connectors.
- If possible, reconnect the same powered device into a different midspan.

The end device operates, but there is no data link

- If using an Ethernet RJ45 cable, verify that a standard Category 5e/6, straight-wired cable with four pairs is used.
- If using an Ethernet RJ45 cable, verify that the Ethernet cable length is less than 100 m (330 ft) from the Ethernet source to the load/remote terminal.
- If using an optical fibre cable, verify that the cable and the SFP module are of the correct type, and that the cable is functional.
- If an external power splitter is in use, verify that it works.
- If possible, reconnect the same powered device into a different midspan.

Audio and I/O don't work

- Go to **System > Plain config > Network** and make sure both Link-Local address (ZeroConf) and IPv4 are turned on.

Specifications

LED indicators

Power LED

LED color	Behavior	Description
Off		Power off
Green	Solid	Power on

PoE LED

LED color	Behavior	Description
Off		No device is connected.
Red	Solid	A remote device is connected but PoE negotiation has failed or the port is overloaded or shorted.
Green	Solid	A remote device is connected, PoE negotiation has succeeded and the port is providing load.

Connectors

Network connector

This product comes with several network connectors:

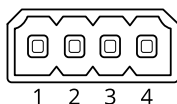
- PoE: RJ45 connector with High Power over Ethernet (High PoE)
- SFP: SFP connector to connect an SFP module with an optical fibre cable
- DATA: RJ45 connector to connect a device with an Ethernet RJ45 cable

Note

You can connect a device to either the SFP port or the data port. If you connect two devices, one device in each port, the device connected to the SFP port will have priority.

Audio connector

4-pin terminal block for audio input and output.



Function	Pin	Notes
GND	1	Ground
12 V	2	12 V for external source

Line in	3	Audio IN
Line out	4	Audio OUT

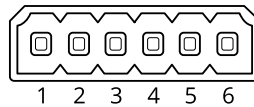
I/O connector

Digital input – For connecting devices that can toggle between an open and closed circuit, for example PIR sensors, door/window contacts, and glass break detectors.

Digital output – For connecting external devices such as relays and LEDs. Connected devices can be activated by the VAPIX® Application Programming Interface, through an event or from the product's webpage.

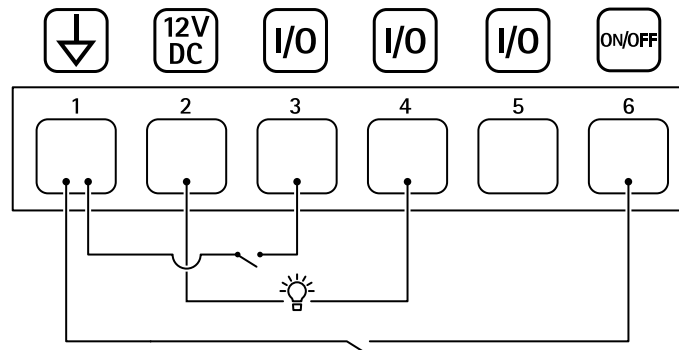
ON/OFF – Turns PoE output on or off.

6-pin terminal block



Function	Pin	Notes	Specifications
DC ground	1		0 V DC
DC output	2	Can be used to power auxiliary equipment. Note: This pin can only be used as power out.	12 V DC Max load = 50 mA
Configurable (Input or Output)	3–5	Digital input – Connect to pin 1 to activate, or leave floating (unconnected) to deactivate.	0 to max 30 V DC
		Digital output – Internally connected to pin 1 (DC ground) when active, and floating (unconnected) when inactive. If used with an inductive load, e.g., a relay, connect a diode in parallel with the load, to protect against voltage transients.	0 to max 30 V DC, open drain, 100 mA
CAM ON/OFF	6	CAM ON: To keep the camera powered on, leave this pin floating (disconnected) for 7 s or more. CAM OFF: Connect to pin 1 for 7 s or more to power off the camera.	

Example:



- 1 DC ground
- 2 DC output 12 V, max 50 mA
- 3 Configurable I/O
- 4 Configurable I/O
- 5 Configurable I/O
- 6 CAM ON/OFF

T10166241

2025-07 (M7.2)

© 2021 – 2025 Axis Communications AB